



ENCLOSURES

NEMA 4X FIBERGLASS ENCLOSURES RJ, N SERIES

DESCRIPTION

The **Stahlin RJ and N Series NEMA 4X Enclosures** are constructed from compression-molded, fiberglass-reinforced polyester. These enclosures offer excellent impact resistance, thermal insulation, and corrosion resistance. Smooth-surfaced, lightweight, non-conductive, and flame-retardant, they can be easily drilled. The gray color is molded in. The **RJ Series** has captive stainless cover screws with fiberglass encapsulated heads. The **N Series** has stainless steel latches. Both types use a stainless steel piano hinge. All are UL listed, File #E64358.

FEATURES

- Fiberglass-reinforced polyester
- Thermal insulating, impact and corrosion resistant
- UL listed File #E64358
- One year warranty



RJ
(Hinged Screw Cover)

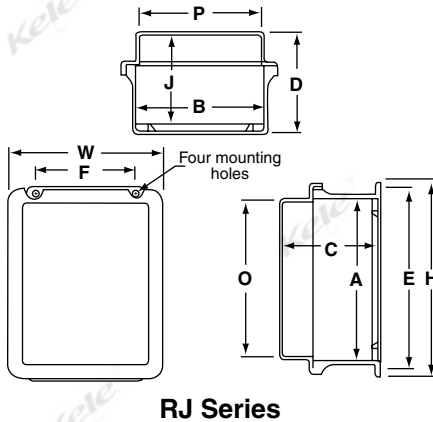


N
(Hinged Latch Cover)

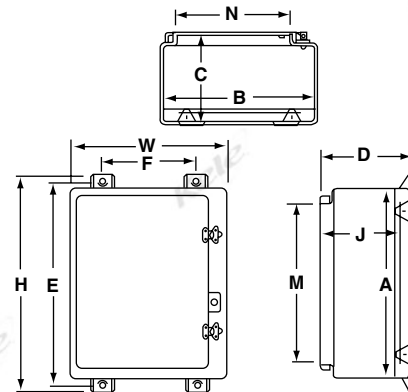


DIMENSIONS

in
(cm)



RJ Series



N Series

ORDERING INFORMATION

RJ Series (Screw cover)

MODEL	ENCLOSURE DIMENSIONS in (cm)			COVER DIMENSIONS		WEIGHT lb (Kg)	SOLID ALUMINUM PANEL* (OPT.)		
	INSIDE A x B x C	MOUNTING E x F	OVERALL H x W x D	SURFACE AREA O x P in (cm)	NO. OF SCREWS		MODEL	DIMENSIONS in (cm) H x W J	
RJ806HW†	7.7 x 5.7 x 5.9 (20 x 14.5 x 15)	8.9 x 4 (23 x 10)	9.6 x 7.5 x 6.2 (24 x 19 x 16)	7.3 x 5.3 (18 x 13)	2	3.5 (1.6)	BP86AL	6.9 x 4.9 (17 x 12)	5.2
RJ1008HW†	9.7 x 7.7 x 6.3 (25 x 20 x 16)	10.8 x 6 (27 x 15)	11.6 x 9.4 x 6.6 (30 x 24 x 17)	9.3 x 7.4 (24 x 18)	2	4.5 (2.0)	BP108AL	8.9 x 6.9 (23 x 17)	5.9
RJ1210HW†	11.8 x 9.8 x 6.3 (30 x 25 x 16)	12.8 x 8 (32 x 20)	13.6 x 11.4 x 6.6 (34 x 29 x 17)	11.2 x 9.2 (28 x 23)	2	6.5 (2.9)	BP1210AL	10.9 x 8.9 (28 x 23)	5.9
RJ1412HW†	13.5 x 11.5 x 7.5 (34 x 29 x 19)	14.6 x 10 (37 x 25)	15.5 x 13.4 x 7.7 (39 x 34 x 20)	13.2 x 11.2 (34 x 28)	2	8.5 (3.9)	BP1412AL	12.9 x 10.9 (33 x 28)	6.9
RJ1614HW†	15.6 x 13.6 x 7.5 (40 x 35 x 19)	16.8 x 12 (43 x 30)	17.5 x 15.4 x 7.7 (45 x 39 x 20)	15.2 x 13.2 (39 x 34)	2	11.5 (5.2)	BP1614AL	14.9 x 12.9 (38 x 33)	6.9
RJ1816HW†	17.7 x 15.7 x 10.3 (45 x 40 x 26)	18.9 x 12 (48 x 30)	19.6 x 17.5 x 10.6 (50 x 44 x 27)	17.3 x 15.3 (44 x 39)	2	19.3 (8.8)	BP1816AL	16.9 x 14.9 (43 x 38)	9.9

N Series (Latch cover)

MODEL	ENCLOSURE DIMENSIONS in (cm)			COVER DIMENSIONS		WEIGHT lb (Kg)	SOLID STEEL PANEL* (OPT.)		
	INSIDE A x B x C	MOUNTING E x F	OVERALL H x W x D	ENCLOSURE OPENING M x N in (cm)	NO. OF LATCHES		MODEL	DIMENSIONS in (cm) H x W J	
N20166HW†	19.7 x 16.0 x 7.2 (50 x 41 x 18)	21.5 x 10.12 (56 x 26)	22.8 x 16.87 x 7.77 (58 x 43 x 20)	16.8 x 12.2 (43 x 31)	2	17 (7.7)	BP2016CS	17 x 13 (43 x 3)	6.3
N20168HW†	19.7 x 16.0 x 9.2 (50 x 41 x 24)	21.5 x 10.12 (56 x 26)	22.8 x 16.87 x 10.27 (58 x 43 x 26)	16.8 x 12.2 (43 x 31)	2	22 (10.0)	BP2016CS	17 x 13 (43 x 3)	8.3
N201610HW†	19.7 x 16.0 x 11.2 (50 x 41 x 29)	21.5 x 10.12 (56 x 26)	22.8 x 16.87 x 12.27 (58 x 43 x 31)	16.8 x 12.2 (43 x 31)	2	23 (10.4)	BP2016CS	17 x 13 (43 x 3)	10.3
N242410HW†	24.1 x 24.4 x 11.3 (61 x 62 x 29)	25.8 x 17.9 (65 x 45)	27.0 x 25.24 x 11.9 (69 x 64 x 30)	21.3 x 20.0 (54 x 51)	4	37 (16.8)	BP2424CS	21 x 21 (53 x 53)	10.3
N30208HW†	29.9 x 20.1 x 9.2 (76 x 51 x 24)	31.8 x 14.3 (81 x 36)	32.9 x 21.0 x 9.9 (83 x 53 x 25)	27.0 x 16.5 (69 x 42)	5	39 (17.7)	BP3020CS	27 x 17 (69 x 43)	8.2
N302410HW†	30.5 x 25.5 x 11.3 (77 x 65 x 29)	32.3 x 18.5 (82 x 47)	33.4 x 26.3 x 11.9 (85 x 67 x 30)	27.4 x 21.3 (70 x 54)	5	50 (22.7)	BP3024CS	27 x 21 (69 x 53)	10.3
N36308HW†	36.3 x 31.7 x 9.3 (92 x 80 x 24)	38.1 x 23.9 (97 x 61)	39.3 x 32.5 x 10.1 (100 x 83 x 25)	33.3 x 27.3 (84 x 69)	5	75 (34.0)	BP3630CS	33 x 27 (84 x 69)	8.4
N363010HW†	36.3 x 31.7 x 11.3 (92 x 80 x 29)	38.1 x 23.9 (97 x 61)	39.3 x 32.5 x 12.1 (100 x 83 x 34)	33.3 x 27.3 (84 x 69)	5	78 (35.4)	BP3630CS	33 x 27 (84 x 69)	10.4

* Order solid optional panels separately

† Add P to the end of part number to order optional steel perf panel.